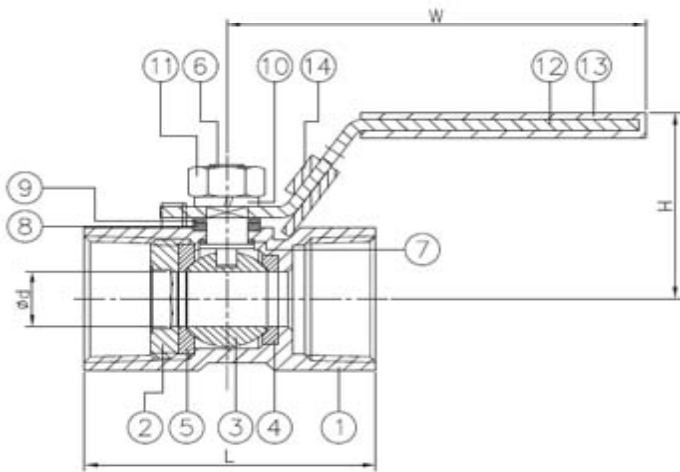


1 PC Screwed End Ball Valve

FORRESTER VALVES

Features

- Reduced port, 1/4"~3" (DN8~DN80)
- W. P.:1000WOG (PN63)
- W. T.: -20°C ~200°C (-4°F~392°F)
- Investment casting
- Blow-out proof stem
- Anti-static device (option)
- Locking device
- Thread type: ASTM B1.20.1 (NPT) DIN2999 & BS21 ISO228/1



ITEM	PARTS	MATERIAL	
1	BODY	ASTM A351-CF8M	ASTM A351-CF8
2	SEAT RETAINER		
3	BALL	ASTM A351-CF8M	
4	SEAT A	PTFE / RTFE	
5	SEAT B		
6	STEM	AISI 316	AISI 304
7	THRUST WASHER	PTFE	
8	PACKING		
9	GLAND RING	AISI 304	
10	SPRING WASHER		
11	STEM NUT		
12	HANDLE		
13	HANDLE SLEEVE	AISI 304	
14	LOCKING DEVICE		

DN	d	L	W	H
8	5	39	71	33
10	7	44	91	35
15	9.2	55	95	40
20	12.5	59	95	44
25	15	69	113	50
32	20	77	113	57
40	25	81	141	64
50	32	97	141	68
65	38	127	190	85
80	50	153	190	90

unit:mm

DN	d	L	W	H
1/4"	0.2	1.54	2.8	1.3
3/8"	0.28	1.73	3.58	1.38
1/2"	0.36	2.17	3.74	1.57
3/4"	0.49	2.32	3.74	1.73
1"	0.59	2.72	4.45	1.97
1-1/4"	0.79	3.03	4.45	2.24
1-1/2"	0.98	3.19	5.55	2.68
2"	1.26	3.82	5.55	2.68
2-1/2"	1.5	5	7.48	3.35
3"	1.97	6.02	7.48	3.54

unit:in

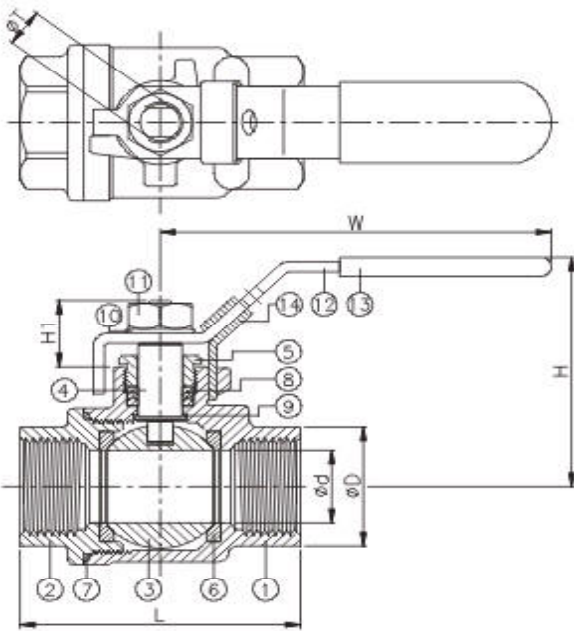
2 PC Screwed End Ball Valve

FORRESTER VALVES

FEATURES



1. Full port, 1/4"~3" (DN8~DN80)
2. W. P.: 1000 WOG(PN63)
3. W. T.: -20°C ~200°C (-4°F~392°F)
4. Investment casting
5. Blow-out proof stem
6. Locking device
7. Tapped & drilled mounting pad (option)
8. TA-Luft approved
9. Length conform to DIN 3202/4-M3
10. Thread type: ASME B1.20.1 (NPT), DIN 2999 & BS21, ISO228/1 & ISO7/1



ITEM	PARTS	MATERIAL	
1	BODY		
2	CAP	ASTM A351-CF8M	ASTM A216-WCB
3	BALL	ASTM A351-CF8M	
4	STEM	ASTM A276-316	
5	GLAND NUT	AISI 304	
6	SEAT	PTFE/RTFE	
7	SEAL		
8	PACKING	PTFE	
9	THRUST WASHER		
10	SPRING WASHER		
11	NUT	AISI 304	
12	HANDLE		
13	HANDLE SLEEVE	PVC	
14	LOCKING DEVICE	AISI 304	

DN	d	D	L	H	H1	H2	H1	T	W	Torque (N-m)	Weight (Kg)
8	11.6	19.0	50.8	58.5	24.0	13.8	18.0	3/8"~24UNF	100	3.5	0.24
10	12.5	22.5	50.8	58.5	25.1	14.7	18.0	3/8"~24UNF	100	4.0	0.24
15	15.0	26.0	58.0	58.5	25.1	14.5	18.5	3/8"~24UNF	100	5.5	0.3
20	20.0	32.0	65.6	63.5	31.8	16.2	22.5	7/16"~20UNF	125	7.5	0.47
25	25.0	38.0	78.7	78.0	39.4	17.9	25.0	7/16"~20UNF	149	11.0	0.76
32	32.0	48.0	90.0	83.0	37.9	16.4	26.0	7/16"~20UNF	149	15.0	1.13
40	38.0	54.8	105.0	102.0	43.4	21.4	30.0	1/2"~20UNF	190	20.0	1.75
50	50.0	64.0	124.0	108.0	42.0	21.1	30.0	1/2"~20UNF	190	40.0	2.69
65	63.0	85.0	146.0	138.0	54.8	31.3	40.0	3/4"~10UNF	250	60.0	5.62
80	76.0	100.0	164.0	146.0	55.8	31.6	40.0	3/4"~10UNF	250	85.0	7.5

unit:mm

NPS	d	D	L	H	H1	H2	H1	T	W	Torque (N-Lb)	Weight (Lb)
1/4"	0.46	0.75	2.00	2.30	0.94	0.54	0.71	3/8"~24UNF	3.94	30.98	0.53
3/8"	0.49	0.89	2.00	2.30	0.99	0.58	0.71	3/8"~24UNF	3.94	35.4	0.53
1/2"	0.59	1.02	2.28	2.30	0.99	0.57	0.73	3/8"~20UNF	3.94	48.68	0.66
3/4"	0.79	1.26	2.58	2.50	1.25	0.64	0.89	7/16"~20UNF	4.92	66.38	1.04
1"	0.98	1.50	3.10	3.07	1.55	0.70	0.98	7/16"~20UNF	5.87	97.36	1.68
1-1/4"	1.26	1.89	3.54	3.27	1.49	0.65	1.02	7/16"~20UNF	5.87	132.76	2.49
1-1/2"	1.50	2.16	4.13	4.02	1.71	0.84	1.18	1/2"~20UNF	7.48	177.01	3.86
2"	1.97	2.64	4.88	4.25	1.65	0.83	1.18	1/2"~20UNF	7.48	354.03	5.93
2-1/2"	2.48	3.35	5.75	5.43	2.16	1.23	1.57	3/4"~10UNF	9.84	531.04	12.39
3"	2.99	3.94	6.46	5.75	2.20	1.24	1.57	3/4"~10UNF	9.84	752.31	16.53

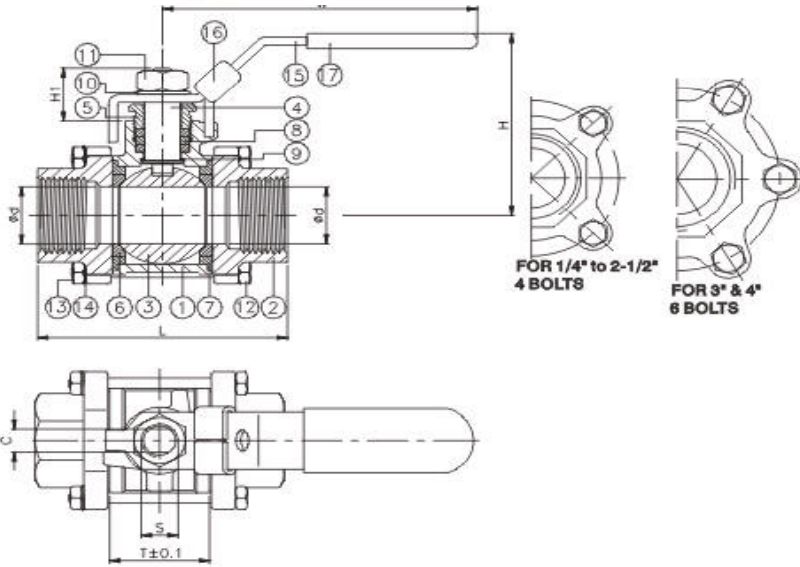
unit:in

3 PC Screwed End Ball Valve

FORRESTER VALVES

FEATURES

1. Full port, 1/4"~4" (DN8~DN100)
2. W. P.: 1000 WOG(PN63)
3. W. T.: -20°C ~200°C (-4°F~392°F)
4. Investment casting
5. Blow-out proof stem
6. Locking device
7. TA-Luft approved
8. Length conform to DIN 3202/4-M3
9. Thread type: ASME B1.20.1 (NPT) DIN2999 & BS21 ISO228/1 & ISO7/1



ITEM	PARTS	MATERIAL	
		1	BODY
2	CAP		
3	BALL	ASTM A351-CF8M	
4	STEM	ASTM A276-316	
5	GLAND NUT	PTFE/RTFE	
6	SEAT		
7	SEAL	PTFE	
8	PACKING		
9	THRUST WASHER		
10	SPRING WASHER		
11	STEM NUT		
12	BOLT	AISI 304	
13	NUT		
14	SPRING WASHER		
15	HANDLE		
16	LOCKING DEVICE		
17	HANDLE SLEEVE	PVC	

DN	d	L	H	H1	W	T	C	S	Torque (N-M)	Weight (kg)
8	11.6	65	58.5	18	100	21.6	5	3/8"~24UNF	3.5	0.35
10	12.5	65	58.5	18	100	21.6	5	3/8"~24UNF	4	0.35
15	15	65	62	18.5	100	24	5	3/8"~24UNF	5.5	0.5
20	20	75	62	22.5	125	29.7	6.5	7/16"~20UNF	7.5	0.7
25	25	85	77	25	149	34.4	7.9	7/16"~20UNF	11	1
32	32	101	82	26	149	42.8	7.9	7/16"~20UNF	15	1.6
40	38	112	100	30	190	51.1	10	1/2"~20UNF	20	2.5
50	50	130	108	30	190	63.4	10	1/2"~20UNF	40	3.5
65	63	162	137	40	250	81.2	12	3/4"~10UNC	60	6.7
80	76	188	145	40	250	95.6	12	3/4"~10UNC	85	9.5
100	96	224	179	54	323	127.1	16	1"~8UNC	150	19.1

unit:mm

NPS	d	L	H	H1	W	T	C	S	Torque (in-lb)	Weight (lb)
1/4"	0.46	2.56	2.3	0.71	3.94	0.85	0.2	3/8"~24UNF	30.98	0.77
3/8"	0.49	2.56	2.3	0.71	3.94	0.85	0.2	3/8"~24UNF	35.4	0.77
1/2"	0.59	2.56	2.44	0.73	3.94	0.94	0.2	3/8"~24UNF	48.68	1.1
3/4"	0.79	2.95	2.44	0.89	4.92	1.17	0.26	7/16"~20UNF	66.38	1.54
1"	0.98	3.35	3.03	0.98	5.87	1.35	0.31	7/16"~20UNF	97.36	2.2
1-1/4"	1.26	3.98	3.23	1.02	5.87	1.69	0.31	7/16"~20UNF	132.76	3.53
1-1/2"	1.5	4.41	3.94	1.18	7.48	2.01	0.39	1/2"~20UNF	177.01	5.51
2"	1.97	5.12	4.25	1.18	7.48	2.5	0.39	1/2"~20UNF	354.03	7.72
2-1/2"	2.48	6.38	5.39	1.57	9.84	3.2	0.47	3/4"~10UNC	531.04	14.77
3"	2.99	7.4	5.71	1.57	9.84	3.76	0.47	3/4"~10UNC	752.31	20.94
4"	3.78	8.82	7.05	2.13	12.72	5	0.63	1"~8UNC	1327.61	42.11

unit:in

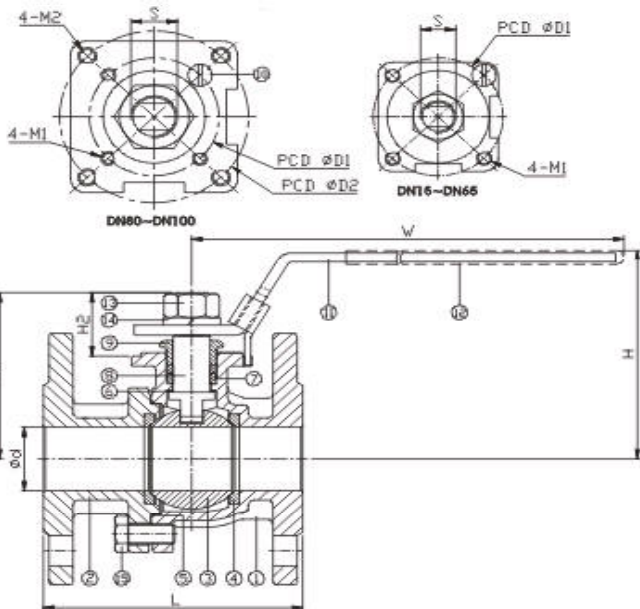
2 PC Flanged End Ball Valve

FORRESTER VALVES



FEATURES

1. Full port, 1/2"~8" (DN15~DN200)
2. W. P.: CLASS 150/300
3. W. T.: -20°C ~200°C (-4°F~392°F)
4. Investment casting
5. Blow-out proof stem
6. Anti-static device (option)
7. Locking device
8. ISO 5211 Mounting pad
9. TA-Luft approved
10. Flange dimension : ASME B16.5
11. Face to face: ASME B16.10



ITEM	PARTS	MATERIAL	
1	BODY	ASTM A351-CF8M	ASTM A216-WCB
2	CAP		
3	BALL	ASTM A351-CF8M	
4	SEAT	PTFE	
5	SEAL		
6	THRUST WASHER		
7	PACKING		
8	STEM		
9	GLAND NUT	AISI 304	
10	STOP PIN		
11	HANDLE		
12	HANDLE SLEEVE	PVC	
13	STEM NUT	AISI 304	
14	SPRING WASHER		
15	BOLT		

DN	d	L (Class150)	L (Class300)	H	H1	H2	S	W	D1	D2	M1	M2	Torque (N-M)	
													Breakaway	Action
15	15	108	140	86	57.2	23.7	11.11	169	42	-	M5	-	3.8	3
20	20	117	152	89	60	23.5	11.1	169	42	-	M5	-	5.5	4
25	25	127	165	103	73.5	29	12.7	205.5	50	-	M6	-	6.5	4.5
32	32	140	178	103	78.5	29	12.7	205.5	50	-	M6	-	9	7.5
40	38	165	190	130	102.9	39.4	19.05	267	70	-	M8	-	25	20
50	50	178	216	135	110.4	39.4	19.05	267	70	-	M8	-	38	30
65	65	190	241	147	122	38.6	19.05	289	70	-	M8	-	45	35
80	80	203	282	166	142	43	19.05	390	70	102	M8	M10	61	50
100	100	228.5	305	181	157	43	19.05	390	70	102	M8	M10	80	73

unit:mm

DN	d	L (Class150)	L (Class300)	H	H1	H2	S	W	D1	D2	M1	M2	Torque (lb-in)	
													Breakaway	Action
1/2"	0.59	4.25	5.51	3.39	2.25	0.93	0.44	6.65	1.65	-	M5	-	33.63	26.55
3/4"	0.79	4.61	5.98	3.5	2.36	0.93	0.44	6.65	1.65	-	M5	-	48.68	35.4
1"	0.98	5	6.5	4.06	2.89	1.14	0.50	8.09	1.97	-	M6	-	57.53	39.83
1-1/4"	1.26	5.51	7.01	4.06	3.09	1.14	0.50	8.09	1.97	-	M6	-	79.66	66.38
1-1/2"	1.50	6.5	7.48	5.12	4.05	1.55	0.75	10.51	2.76	-	M8	-	221.27	177.01
2"	1.97	7.01	8.5	5.31	4.35	1.55	0.75	10.51	2.76	-	M8	-	336.33	265.52
2-1/2"	2.56	7.48	9.49	5.79	4.80	1.52	0.75	11.38	2.76	-	M8	-	398.28	309.77
3"	3.15	7.99	11.1	6.54	5.59	1.69	0.75	15.35	2.76	4.02	M10	M10	539.89	442.54
4"	3.94	9	12.01	7.13	6.18	1.69	0.75	15.35	2.76	4.02	M10	M10	708.06	646.1

unit:in

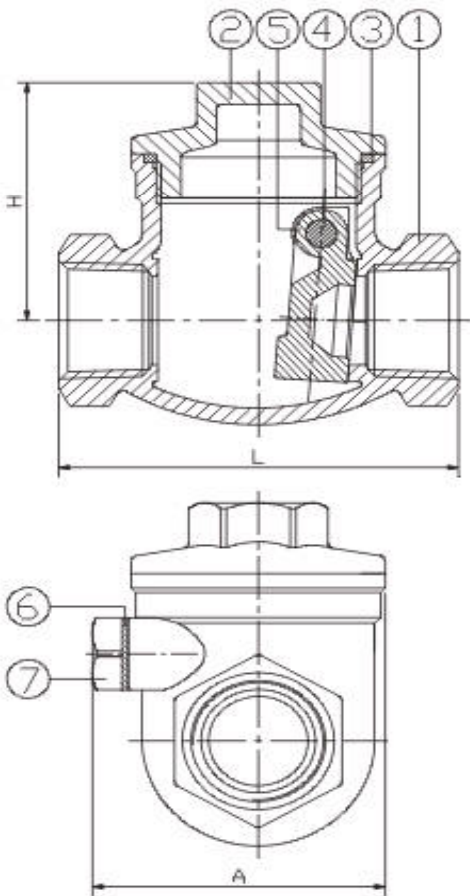
Screwed End Swing Check Valve

FORRESTER VALVES



FEATURES

1. 1/2"~3" (DN15~DN80)
2. W. P.: 200WOG
3. W. T.: -20°C ~200°C (-4°F~392°F)
4. Investment casting
5. Thread type: ASME B1.20.1 (NPT), DIN 2999 & BS21, ISO228/1 & ISO7/1



ITEM	PARTS	MATERIAL
1	BODY	ASTM A351-CF8M
2	CAP	
3	SEAL	PTFE
4	PLUG	AISI 316
5	DISC	ASTM A351-CF8M
6	GASKET	PTFE
7	BOLT	AISI 304

DN	15	20	25	32	40	50	65	80
L	65	80	89	105	120	139	181	200
H	44	52	62	67	79	80	96	104
A	46.5	52	56	65	75	84	108	137
Weight (kg)	0.363	0.426	0.655	0.927	1.49	2.15	5.27	7.7

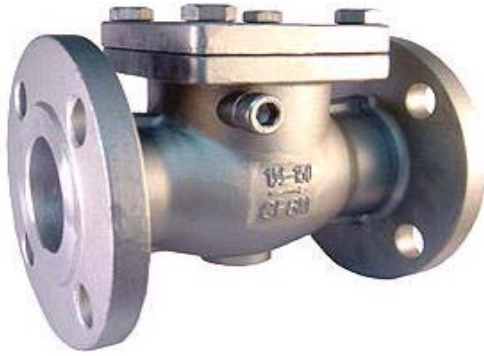
unit:mm

NPS	1/2"	3/4"	1"	1-1/4"	1-1/2"	2"	2-1/2"	3"
L	2.56	3.15	3.5	4.13	4.72	5.47	7.13	7.87
H	1.73	2.05	2.44	2.64	3.11	3.15	3.78	4.09
A	1.83	2.05	2.2	2.56	2.95	3.31	4.25	5.39
Weight (lb)	0.8	0.94	1.44	2.04	3.28	4.74	11.62	16.98

unit:in

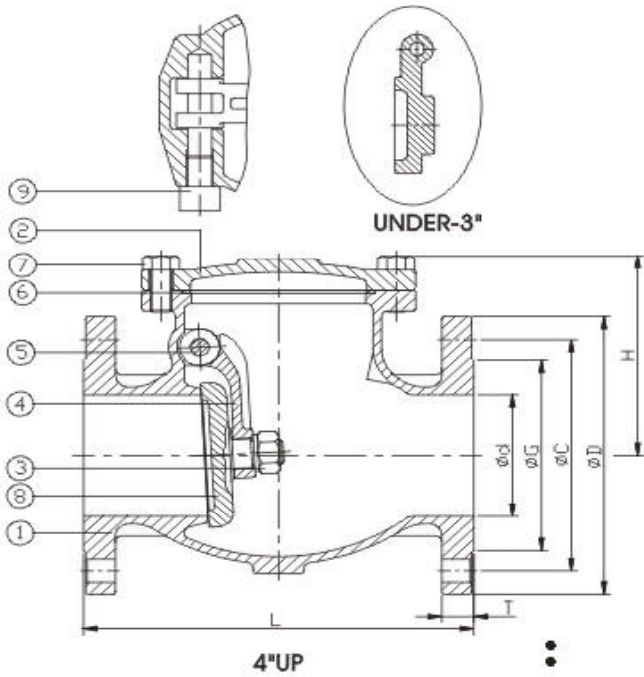
Flanged End Swing Check Valve

FORRESTER VALVES



FEATURES

1. 1/2"~24" (DN15~DN600)
2. W. P.: PN16/40 CLASS 150/300/600 JIS 10K
3. W. T.: -20°C ~200°C (-4°F~392°F)
4. Investment casting



ITEM	PARTS	MATERIAL	
1	BODY	ASTM A351-CF8M	ASTM A351-CF8
2	DISC		
3	NUT	AISI 304	
4	HINGE	ASTM A351-CF8M	ASTM A351-CF8
5	HINGE PIN	AISI 316	AISI 304
6	GASKET	PTFE/304+GRAPHIT	
7	BONNET	ASTM A351-CF8M	ASTM A351-CF8
8	SPRING WASHER	AISI 304	
9	BONNET BOLT		
10	BOLT		

* 8" UP GASKET:304+GRAPHITE

CLASS 150

DN	d	L	H	D	C	G	T	f	M	N
15	15	108	51	89	60.5	35	12.1	1.6	16	4
20	20	117	54	98	70	43	12.1	1.6	16	4
25	25	127	64	108	79.5	51	12.1	1.6	16	4
32	32	140	68	117	89.5	64	12.7	1.6	16	4
40	40	165	75	127	98.5	73	14.3	1.6	16	4
50	50	203	97	152	120.5	92	15.9	1.6	19	4
65	65	216	111	178	139.5	105	17.5	1.6	19	4
80	80	241	120	190	152.5	127	19.1	1.6	19	4
100	100	292	162	229	190.5	157	23.9	1.6	19	8
125	125	330	179	254	216	186	23.9	1.6	22	8
150	150	356	203	279	241.5	216	25.4	1.6	22	8
200	200	495	236	343	298.5	270	28.6	1.6	22	8
250	250	622	302	406	362	324	30.2	1.6	25	12
300	300	698	340	483	432	381	31.8	1.6	25	12
350	337	787	385	533	476.5	413	35	1.6	29	12

unit:mm

NPS	d	L	H	D	C	G	T	f	M	N
1/2"	0.59	4.25	2.01	3.5	2.38	1.38	0.48	0.06	0.63	4
3/4"	0.79	4.61	2.13	3.86	2.76	1.69	0.48	0.06	0.63	4
1"	0.98	5	2.52	4.25	3.13	2.01	0.48	0.06	0.63	4
1-1/4"	1.26	5.51	2.68	4.61	3.52	2.52	0.5	0.06	0.63	4
1-1/2"	1.57	6.5	2.95	5	3.88	2.87	0.56	0.06	0.63	4
2"	1.97	7.99	3.82	5.98	4.74	3.62	0.63	0.06	0.75	4
2-1/2"	2.56	8.5	4.37	7.01	5.49	4.13	0.69	0.06	0.75	4
3"	3.15	9.49	4.72	7.48	6	5	0.75	0.06	0.75	4
4"	3.94	11.5	6.38	9.02	7.5	6.18	0.94	0.06	0.75	8
5"	4.92	12.99	7.05	10	8.5	7.32	0.94	0.06	0.87	8
6"	5.91	14.02	7.99	10.98	9.51	8.5	1	0.06	0.87	8
8"	7.87	19.49	9.29	13.5	11.75	10.63	1.13	0.06	0.87	8
10"	9.84	24.49	11.89	15.98	14.25	12.76	1.19	0.06	0.98	12
12"	11.81	27.48	13.39	19.02	17.01	15	1.25	0.06	0.98	12
14"	13.27	30.98	15.16	20.98	18.76	16.26	1.38	0.06	1.14	12

unit:in

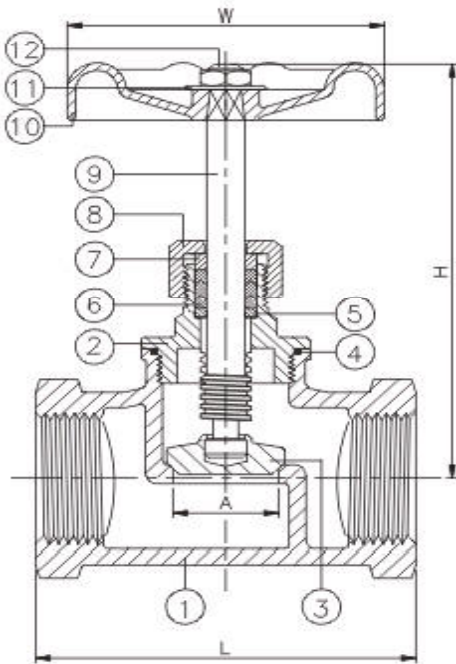
Screwed End Globe Valve

FORRESTER VALVES



FEATURES

1. 1/4"~2" (DN8~DN50)
2. W. P.: 200WOG
3. W. T.: -20°C ~200°C (-4°F~392°F)
4. Investment casting
5. Thread type: ASME B1.20.1 (NPT), DIN 2999 & BS21, ISO228/1 & ISO7/1



ITEM	PARTS	MATERIAL
1	BODY	ASTM A351-CF8M
2	BONNET	
3	DISC	
4	SEAL	PTFE
5	WASHER	AISI 304
6	PACKING	PTFE
7	GLAND RING	AISI 304
8	CAP NUT	AISI 316
9	STEM	
10	HANDLE	ALUMINUM
11	NAMEPLATE	
12	STEM NUT	AISI 304

DN	L	H	W	A	Weight (kg)
8	52	105.5	70	13.6	0.34
10	52	105.5	70	13.6	0.32
15	52	107	70	13.6	0.33
20	66	116	80	17.6	0.47
25	76	129.2	80	22.6	0.66
32	86	153.5	90	29.5	1.01
40	94	157	100	30.5	1.29
50	118	172	100	42.5	1.82

unit:mm

NPS	L	H	W	A	Weight (lb)
1/4"	2.05	4.15	2.76	0.54	0.75
3/8"	2.05	4.15	2.76	0.54	0.71
1/2"	2.05	4.21	2.76	0.54	0.73
3/4"	2.6	4.57	3.15	0.69	1.04
1"	2.99	5.09	3.15	0.89	1.46
1-1/4"	3.39	6.04	3.54	1.16	2.23
1-1/2"	3.7	6.18	3.94	1.2	2.84
2"	4.65	6.77	3.94	1.67	4.01

unit:in

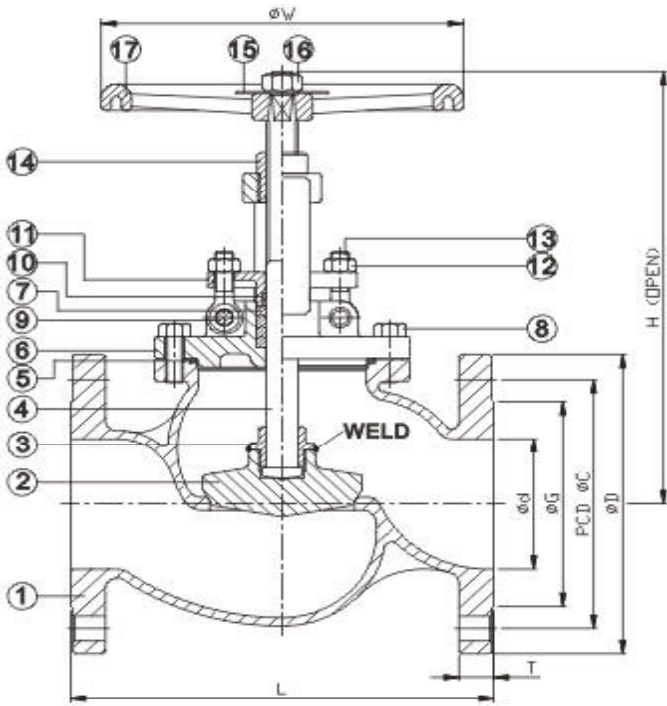
Flanged End Globe Valve

FORRESTER VALVES



FEATURES

1. 1/2"~12" (DN15~DN300)
2. W. P.: PN16 CLASS 150/300/600 JIS 10K
3. W. T.: -20°C ~200°C (-4°F~392°F)
4. Investment casting
5. Rising stem



ITEM	PARTS	MATERIAL	
1	BODY		
2	DISC	ASTM A351-CF8M	ASTM A351-CF8
3	DISC COVER		
4	STEM	AISI 316	AISI 304
5	GASKET	PTFE/304+GRAPHITE	
6	BONNET	ASTM A351-CF8M	ASTM A351-CF8
7	GLAND PACKING	PTFE	
8	BONNET BOLT	AISI 304	
9	HINGE PIN	AISI 304	
10	SLEEVE	PTFE	
11	GLAND	ASTM A351-CF8	
12	NUT	AISI 304	
13	EYE BOLT	AISI 304	
14	YOKE SLEEVE	BRONZE	
15	NAME PLATE	AISI 304	
16	NUT	AISI 304	
17	HANDWHEEL	FCD 400	
18	SPRING WASHER	AISI 304	

* 8" UP GASKET:304+GRAPHIT

CLASS 150

DN	d	L	H	W	D	C	G	T	f	N	M
15	15	108	178	140	89	60.5	35	12.1	1.6	4	16
20	20	117	181	140	98	70.0	43	12.1	1.6	4	16
25	25	127	200	140	108	79.5	51	12.1	1.6	4	16
32	32	140	243	160	117	89.5	64	12.7	1.6	4	16
40	40	165	245	160	127	98.5	73	14.3	1.6	4	16
50	50	203	258	200	152	120.5	92	15.9	1.6	4	19
65	65	216	310	200	178	139.5	105	17.5	1.6	4	19
80	80	241	325	250	190	152.5	127	19.1	1.6	4	19
100	100	292	390	250	229	190.5	157	23.9	1.6	8	19
125	125	256	472	300	254	216.0	186	23.9	1.6	8	22
150	150	406	531	350	279	241.5	216	25.4	1.6	8	22
200	200	495	669	350	343	298.5	270	28.6	1.6	8	22
250	250	622	824	500	406	362.0	324	30.2	1.6	12	25
300	300	698	950	500	483	432.0	381	31.8	1.6	12	25

unit:mm

NPS	d	L	H	W	D	C	G	T	f	N	M
1/2"	0.59	4.3	7.0	5.5	3.5	2.4	1.4	0.5	0.1	4.0	0.6
3/4"	0.79	4.6	7.1	5.5	3.9	2.8	1.7	0.5	0.1	4.0	0.6
1"	0.98	5.0	7.9	5.5	4.3	3.1	2.0	0.5	0.1	4.0	0.6
1-1/4"	1.26	5.5	9.6	6.3	4.6	3.5	2.5	0.5	0.1	4.0	0.6
1-1/2"	1.57	6.5	9.7	6.3	5.0	3.9	2.9	0.6	0.1	4.0	0.6
2"	1.97	8.0	10.2	7.9	6.0	4.7	3.6	0.6	0.1	4.0	0.8
2-1/2"	2.56	8.5	12.2	7.9	7.0	5.5	4.1	0.7	0.1	4.0	0.8
3"	3.15	9.5	12.8	9.8	7.5	6.0	5.0	0.8	0.1	4.0	0.8
4"	3.94	11.5	15.4	9.8	9.0	7.5	6.2	0.9	0.1	8.0	0.8
5"	4.92	10.1	18.6	11.8	10.0	8.5	7.3	0.9	0.1	8.0	0.9
6"	5.91	16.0	20.9	13.8	11.0	9.5	8.5	1.0	0.1	8.0	0.9
8"	7.87	19.5	26.3	13.8	13.5	11.8	10.6	1.1	0.1	8.0	0.9
10"	9.84	24.5	32.4	19.7	16.0	14.3	12.8	1.2	0.1	12.0	1.0
12"	11.81	27.5	37.4	19.7	19.0	17.0	15.0	1.3	0.1	12.0	1.0

unit:in

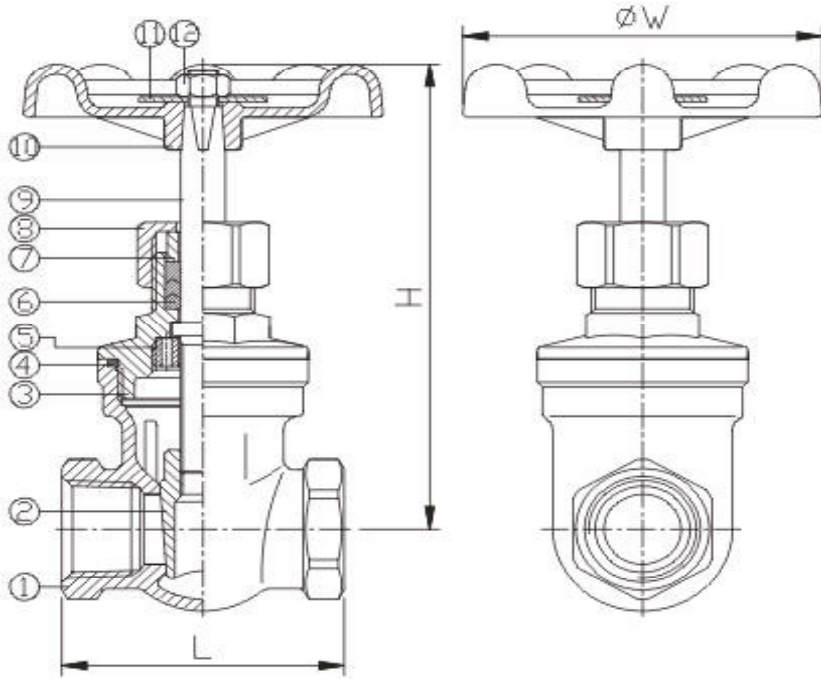
Screwed End Gate Valve

FORRESTER VALVES



FEATURES

1. 1/4"~3" (DN8~DN80)
2. W. P.: 200WOG
3. W. T.: -20°C ~200°C (-4°F~392°F)
4. Investment casting
5. Non-rising stem
6. Thread type: ASME B1.20.1 (NPT), DIN 2999 & BS21, ISO228/1 & ISO7/1



ITEM	PARTS	MATERIAL
1	BODY	ASTM A351-CF8M
2	DISC	
3	BONNET	
4	SEAL	PTFE
5	GASKET	AISI 304
6	PACKING	PTFE
7	GLAND RING	AISI 304
8	CAP NUT	ASTM A351-CF8M
9	STEM	AISI 316
10	HANDLE	ALUMINUM
11	NAMEPLATE	
12	STEM NUT	AISI 304

DN	d	L	H	W	Weight (kg)
15	15	55	101	70	0.44
20	20	60	108	70	0.54
25	25	65	118	80	0.66
32	32	75	132	80	0.98
40	38	85	149	90	1.42
50	50	95	175	100	2.06
65	65	116	213	140	5.80
80	80	130	241	140	8.80

unit:mm

NPS	d	L	H	W	Weight (lb)
1/2"	0.59	2.17	3.98	2.76	0.97
3/4"	0.79	2.36	4.00	2.76	1.19
1"	0.98	2.56	4.65	3.15	1.50
1-1/4"	1.26	2.95	5.20	3.15	2.16
1-1/2"	1.50	3.35	5.87	3.54	3.13
2"	1.97	3.74	6.89	3.94	5.00
2-1/2"	2.56	4.57	8.39	3.94	12.79
3"	3.15	5.12	9.49	5.51	19.40

unit:in

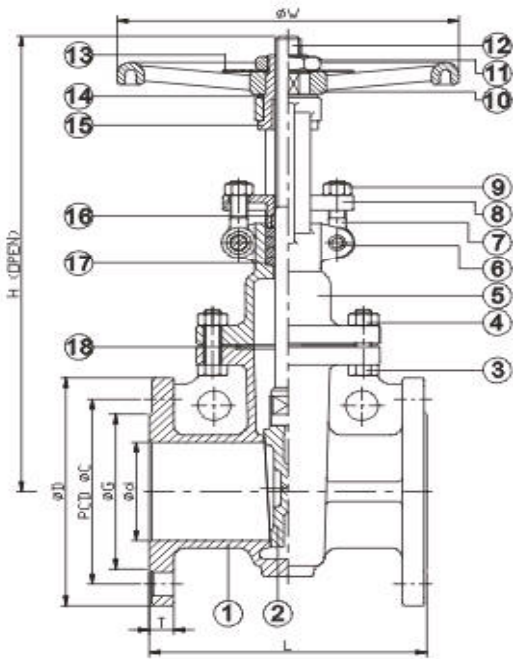
Flanged End Gate Valve

FORRESTER VALVES



FEATURES

1. 1/2"~24" (DN15~DN600)
2. W. P.: PN16 CLASS 150/300/600
3. W. T.: -20°C ~200°C (-4°F~392°F)
4. Investment casting
5. Rising stem



ITEM	PARTS	MATERIAL
1	BODY	ASTM A351-CF8M
2	DISC	
3	BONNET BOLT	
4	BONNET NUT	AISI 304
5	BONNET	ASTM A351-CF8M
6	HINGE PIN	AISI 304
7	EYE BOLT	
8	GLAND	ASTM A351-CF8
9	NUT	AISI 304
10	HAND WHEEL	FCD
11	NUT	BRONZE
12	STEM	AISI 316
13	NAME PLATE	AISI 304
14	SPRING	BRONZE
15	YOKE SLEEVE	
16	GLAND PACKING	PTFE
17	PACKING	
18	GASKET	PTFE/304+GRAPHITE
19	SPRING WASHER	AISI 304

*5" UP GASKET:304+GRAPHITE

CLASS 150

DN	d	L	H	W	D	C	G	T	N	M
15	15	108	182	120	89	60.5	35	12.1	4	16
20	20	117	195	120	98	70	43	12.1	4	16
25	25	127	237	120	108	79.5	51	12.1	4	16
32	32	140	294	200	117	89.5	64	12.7	4	16
40	40	165	294	200	127	98.5	73	14.3	4	16
50	50	178	335	200	152	120.5	92	15.9	4	19
65	65	190	393	200	178	139.5	105	17.5	4	19
80	80	203	467	250	190	152.5	127	19.1	4	19
100	100	229	549	250	229	190.5	157	23.9	8	19
125	125	254	630	300	254	216	186	23.9	8	22
150	150	267	743	300	279	241.5	216	25.4	8	22
200	200	292	910	350	343	298.5	270	28.6	8	22
250	250	330	1097	400	406	362	324	30.2	12	25
300	300	356	1285	400	483	432	381	31.8	12	25

unit:mm

NPS	d	L	H	W	D	C	G	T	N	M
1/2"	0.59	4.25	7.17	4.72	3.50	2.38	1.38	0.48	4	0.63
3/4"	0.79	4.61	7.68	4.72	3.86	2.76	1.69	0.48	4	0.63
1"	0.98	5.00	9.33	4.72	4.25	3.13	2.01	0.48	4	0.63
1-1/4"	1.26	5.51	11.57	7.87	4.61	3.52	2.52	0.50	4	0.63
1-1/2"	1.57	6.50	11.57	7.87	5.00	3.88	2.87	0.56	4	0.63
2"	1.97	7.01	13.19	7.87	5.98	4.74	3.62	0.63	4	0.75
2-1/2"	2.56	7.48	15.47	7.87	7.01	5.49	4.13	0.69	4	0.75
3"	3.15	7.99	18.39	9.84	7.48	6.00	5.00	0.75	4	0.75
4"	3.94	9.02	21.61	9.84	9.02	7.50	6.18	0.94	8	0.75
5"	4.92	10.00	24.80	11.81	10.00	8.50	7.32	0.94	8	0.87
6"	5.91	10.51	29.25	11.81	10.98	9.51	8.50	1.00	8	0.87
8"	7.87	11.50	35.83	13.78	13.50	11.75	10.63	1.13	8	0.87
10"	9.84	12.99	43.19	15.75	15.98	14.25	12.76	1.19	12	0.98
12"	11.8	14.02	50.59	15.75	19.02	17.01	15.00	1.25	12	0.98

unit:in